

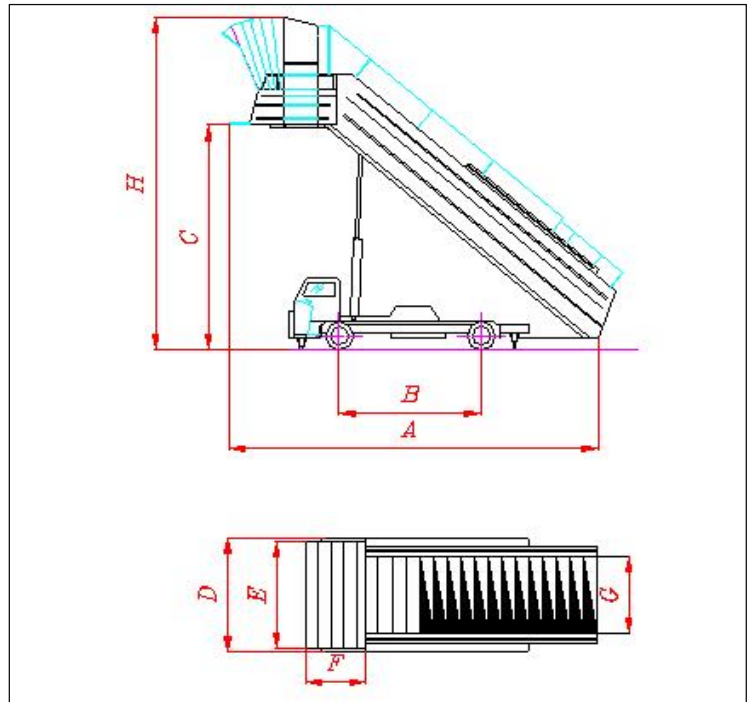


Since 1960

**DELTA KAR Co.**

Airport Equipment Manufacturer

| Dimension (mm) |             |
|----------------|-------------|
| <b>A</b>       | <b>8860</b> |
| <b>B</b>       | <b>3200</b> |
| <b>C</b>       | <b>5800</b> |
| <b>D</b>       | <b>2400</b> |
| <b>E</b>       | <b>2200</b> |
| <b>F</b>       | <b>1800</b> |
| <b>G</b>       | <b>1350</b> |
| <b>H</b>       | <b>8250</b> |



**Passenger Stairs Width Body Delta 580**

**With Canopy Specification**

|                            |                   |        |
|----------------------------|-------------------|--------|
| Overall Length             | 8860              | mm     |
| Overall Width              | 2600              | mm     |
| Overall Height             | 6350              | mm     |
| Servicing Height (min-max) | 2400 - 5800       | mm     |
| Number of Steps            | 26                | St.    |
| Step Depth                 | 300               | mm     |
| Step Height                | 200               | mm     |
| Platform Dimension (LxW)   | 2200x1800         | mm     |
| Load Capacity              | 73                | person |
| Engine (Diesel)            | Deutz / Perkins   |        |
| Transmission               | Automatic Gearbox |        |
| Dead Weight                | 7700              | kg     |
| Driving Speed max.         | 30                | km/h   |
| Tires                      | 7.50-16-14 P.R    |        |
| Shipping Dimension (LxWxH) | 8860x2600x6350    | mm     |

*Specifications subject to alteration without prior notice.*



Khordad St. – Sepehr Industrial Zone – Nazar Abad – Alborz – IRAN

Phone : +98 26 45332096-9

Fax : +98 26 45332095

E-Mail : [info@DELTAKAR.com](mailto:info@DELTAKAR.com)

[www.DELTAKAR.com](http://www.DELTAKAR.com)