

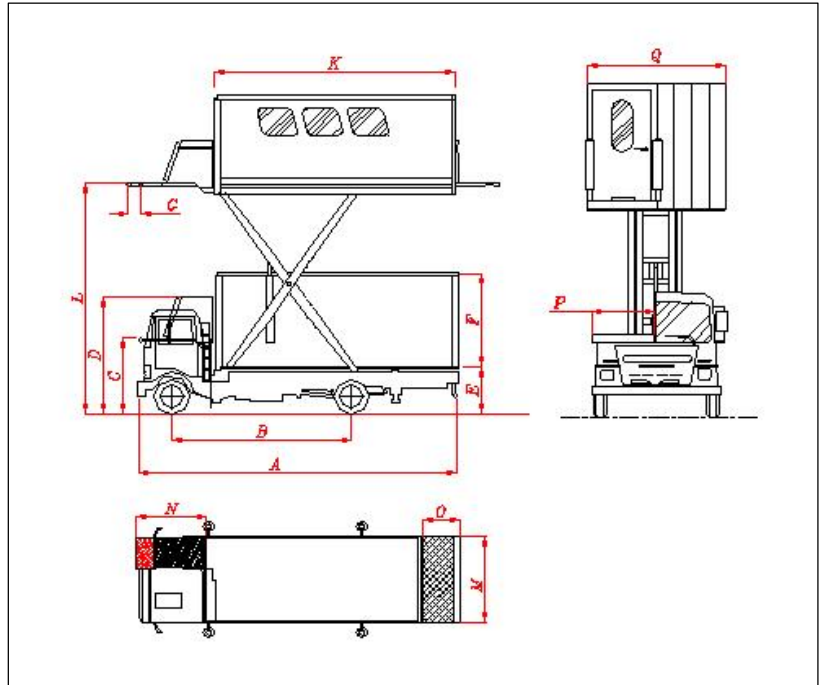


**DELTA KAR Co.**

Airport Equipment Manufacturer

Since 1960

Dimension (mm)	
A	8250
B	4475
C	1900
D	3400
E	1450
F	2100
G	500
K	6000
L	5800
M	2000
N	1900
O	2000
P	1100
Q	2400



### Medical Vehicle Delta 580-Half Cabin Specification

Overall Length	8250	mm
Overall Width	2400	mm
Overall Height	3750	mm
Front Platform Servicing Height	1900 - 5800	mm
Front Platform Displacement	500	mm
Front Platform Payload	350	Kg
Front Platform Dimension	1050×1900	mm
Tail Lift Dimension	2000×2000	mm
Electric System	24	VDC
Load Capacity	1000	Kg
Dead Weight	8600	Kg
Chassis	ISUZU (NPR75M-8.4 Ton)	
Shipping Dimension (L×W×H)	8250×2400×3750	mm

Specifications subject to alteration without prior notice.

Khordad St. – Sepehr Industrial Zone – Nazar Abad – Alborz – IRAN  
 Phone : +98 26 45332096-9 Fax : +98 26 45332095  
 E-Mail : [info@DELTAKAR.com](mailto:info@DELTAKAR.com) [www.DELTAKAR.com](http://www.DELTAKAR.com)

