

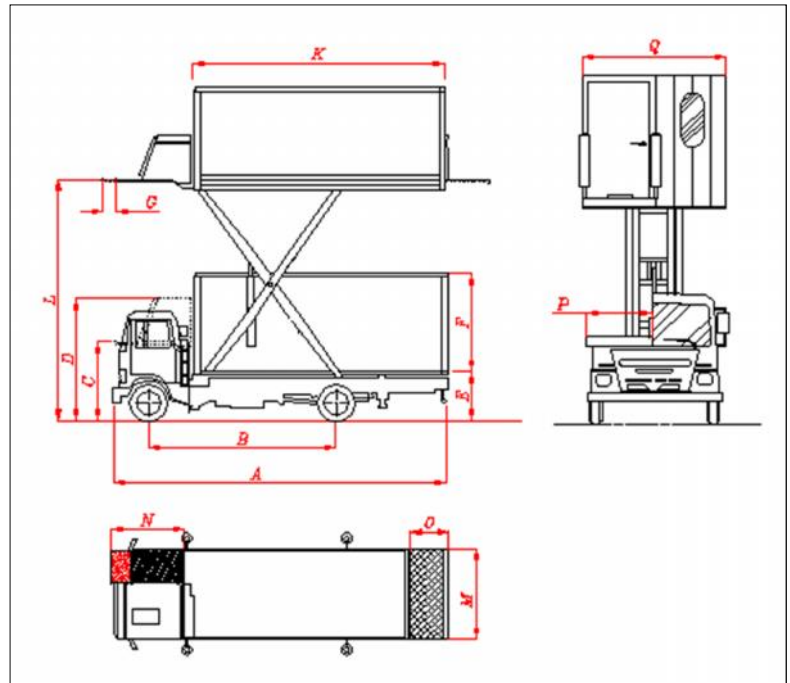


DELTA KAR Co.

Airport Equipment Manufacturer

Since 1960

Dimension (mm)	
A	8250
B	4475
C	1900
D	3000
E	1450
F	2100
G	500
K	6000
L	5800
M	2000
N	1900
O	1200
P	1100
Q	2400



Catering Vehicle Delta 580-Half Cabin

Specification

Overall Length	8250	mm
Overall Width	2400	mm
Overall Height	3750	mm
Front Platform Servicing Height	1900 - 5800	mm
Front Platform Displacement	500	mm
Front Platform Payload	350	Kg
Front Platform Dimension	1050×1900	mm
Tail Lift Dimension	2000×1200	mm
Electric System	24	VDC
Load Capacity	1000	Kg
Dead Weight	8600	Kg
Chassis	ISUZU (NPR75M-8.4 Ton)	
Shipping Dimension (L×W×H)	8250×2400×3750	mm

Specifications subject to alteration without prior notice.

Khordad St. – Sepehr Industrial Zone – Nazar Abad – Alborz – IRAN

Phone : +98 26 45332096-9

Fax : +98 26 45332095

E-Mail : info@DELTA KAR.com

www.DELTA KAR.com